

Ekko L 55(34) s

Data sheet

Details

- Fireplace insert, open on two sides
- Ultra-low body depth
- Glass: 1-section
- 55(34)45 – Height 45 cm
55(34)51 – Height 51 cm
55(34)57 – Height 57 cm
- Self-closing door
- Adjustable lower air washing
- Standard fire box inner lining: white smooth chamotte
- High-grade cast-iron dome, all parts can be moved, adjustable between 0 – 90°



Ekko L 55(34) with hinged front

Technical data

• Nominal heat output	5 kW
• Thermal output range	2,4 – 5,3 kW
• Efficiency	>78 %
• Insulation thickness (with wall that does not need to be protected) (based on SILCA® 250KM)	60 mm
• Combustion air connector	Ø 125 mm
• Recommend length of logs	33 cm
• Weight	190 – 210 kg
• Heat distribution through the viewing window	50 %
• Heat distribution, convective output	50 %

Data for chimney sweep according to DIN EN 13384 (closed operation)

Triple values with nominal heat output

• Flue gas mass flow	5,0 g/s
• Flue gas temperature	275 °C
• Required delivery pressure	12 Pa

Triple values for calculating ceramic flues (wood fuel)

• Firing power	18,2 kW
• Flue gas mass flow	14,6 g/s
• Flue gas temperature upstream of the connecting surface	378 °C
• Required delivery pressure at the flue gas connector	15 Pa
• Combustion air requirement	60,9 m ³ /h
• Recommended flue length ¹	1,7 m

Data for closed design

• Minimum heat-emitting surface ²	2,3 m ²
--	--------------------

¹The information regarding flue lengths is a recommendation and based on the calculation in accordance with TROL 2022 chapter 15. The calculation is based on a medium-heavy design and a flue ratio of 360 cm².

²Average value based on the storage time. Dependent on the material properties and the construction thickness. Mean specific heat distribution = approx. 500 W/m²

There may be modifications to the colour and technical details caused by ongoing developments; subject to errors and omissions. Dated: 01/2024

Standard



Optional



Accessories



A
Energy efficiency class in accordance with (EU) 2015/1186

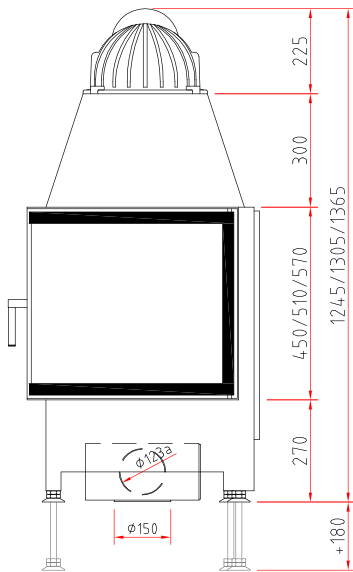

1. Federal Emissions Control Ordinance Stage 2



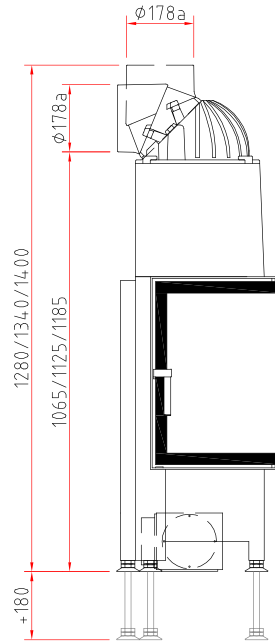
Ekko L 55(34) s

Dimensional drawing

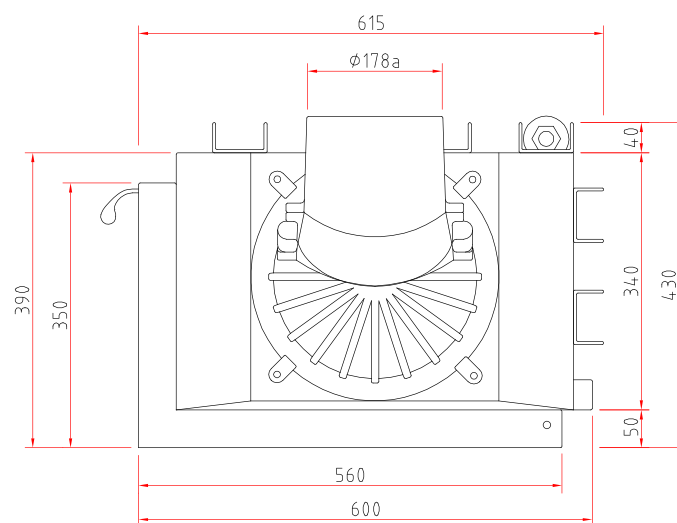
Front view, scale 1:20



Side view, scale 1:20



Top view, scale 1:10



Product data sheet

Regulation (EU) 2015/1186 supplementing Directive 2010/30/EU

	Ekko L/R 55(34) s/h
Supplier's name:	Camina & Schmid Feuerdesign und Technik GmbH & Co. KG
Supplier's model identifier:	Ekko L/R 55(34) s/h
Energy efficiency class:	A
Direct heat output (kW)	5,0
Indirect heat output (kW):	–
Energy efficiency index (EEI):	106,3
Energy efficiency at nominal heat output (%):	80,2
Notes for specific precautions, installation or maintenance:	Please note the reference in the assembly instructions and operating manuals!

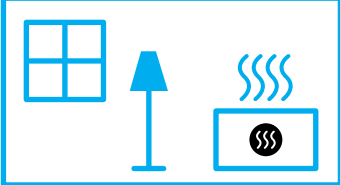
There may be modifications to technical details caused by ongoing developments; subject to errors and omissions. Dated: 11/2021



ENERG
енергия · ενέργεια



Camina  Schmid Ekko L/R 55(34) s/h



5,0
kW

ENERGIA · ЕНЕРГИЯ · ΕΝΕΡΓΕΙΑ · ENERGIJA · ENERGY · ENERGIE · ENERGI

2015/1186